

KOMATSU

D37EXi-24 **D37PXi-24**

EU Stage IV Engine

CRAWLER DOZER

PRELIMINARY

D37i



ENGINE POWER

67,7 kW / 90,7 HP @ 2.200 rpm

OPERATING WEIGHT

D37EXi-24: 9.080 kg
D37PXi-24: 9.380 kg

BLADE CAPACITY

D37EXi-24: 1,91 m³
D37PXi-24: 2,13 m³

Walk-Around

OUTSTANDING PRODUCTIVITY & FUEL ECONOMY:

**Up to 10% less fuel consumption
with new engine and optimised
hydrostatic pump control
technology (compared with D37-22)**



Powerful and Environmentally Friendly

- NEW** • Low consumption EU Stage IV engine
- Optimised Hydrostatic Transmission (HST) control system
- NEW** • Adjustable Eco-gauge and auto idle stop
- Hydrostatic cooling fan with cleaning mode
- NEW** • 100% passive regeneration and requires no DPF

Intelligent Machine Control

- 3D GNSS system
- Integrated & standard factory installed
- Automated operation from rough dozing to finish grade
- Highly increased efficiency



Images may display optional equipment or specifications not available in your area.

D37EXi/PXi-24

First-Class Operator Comfort

- Super-slant nose design for excellent blade visibility
- Integrated rear-view camera
- Fully adjustable air-suspended seat
- High capacity air conditioning

Optimised Work Equipment

- INPAT blade with adjustable pitch
- Multishank parallelogram ripper

State-of-the-Art Controls

- Extremely maneuverable hydrostatic drive
- Variable speed selection or conventional quick shift
- Palm Command Control System (PCCS)
- Large multifunctional monitor

Reliability & Maintenance

- Multifunctional monitor with troubleshooting function
- Sturdy, rugged design
- Low-drive “PLUS” undercarriage

KOMTRAX™

- Increased operational data and fuel savings
- Integrated communication antenna



All components for machine control are factory-installed during assembly at the Komatsu manufacturing facility, ensuring reliability and high quality.




Intuitive selectable load settings – Machine control load settings can be adjusted between presets to tailor response to material conditions.



The standard touch screen control box is factory installed and features a simple, easy-to-use operator interface.



Maximum operator comfort and an excellent view on the blade due to the super-slant nose design.



Complimentary maintenance program for customers

ENGINE

Model	Komatsu SAA4D95LE-7
Type	Common rail direct injection, water-cooled, emissionised, turbocharged, after-cooled diesel
Engine power	
at rated engine speed	2.200 rpm
ISO 14396	67,7 kW/90,7 HP
ISO 9249 (net engine power)	66,1 kW/88,6 HP
No. of cylinders	4
Bore × stroke	95 × 115 mm
Displacement	3,26 l
Fan drive type	Hydraulic, reversible
Engine emissions	Fully complies with EU Stage IV exhaust emission regulations

UNDERCARRIAGE

Suspension	Rigid type
Tracks	PLUS link assembly
Min. turning radius	
D37EXi-24	2,1 m
D37PXi-24	2,3 m

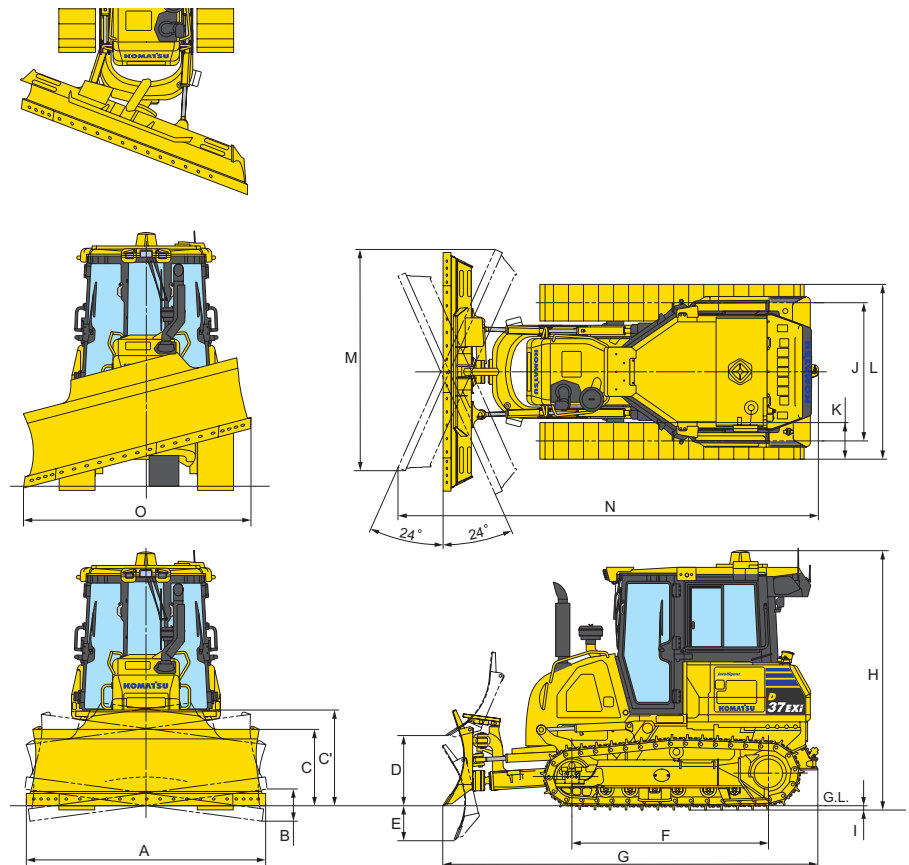
HYDROSTATIC TRANSMISSION (HST)

Speed ranges (forwards/backwards)	3/3
Max. travel speeds in variable mode (forwards/backwards)	0 - 8,5 km/h

DIMENSIONS

	D37EXi-24	D37PXi-24
A	2.710 mm	3.200 mm
B	370 mm	435 mm
C	865 mm	835 mm
C'	1.075 mm	1.075 mm
D	800 mm	800 mm
E	380 mm	380 mm
F	2.230 mm	2.230 mm
G	4.275 mm	4.275 mm
H	2.945 mm	2.945 mm
I	47 mm	47 mm
J	1.570 mm	1.710 mm
K	400 mm	600 mm
L	1.970 mm	2.310 mm
M	2.510 mm	2.960 mm
N	4.780 mm	4.880 mm
O	2.480 mm	2.905 mm

Ground clearance: 325 mm



DOZER EQUIPMENT

	Overall length with dozer	Blade width × height	Maximum lift above ground	Maximum drop below ground	Maximum tilt adjustment	Blade angle
1,91 m ³ INPAT blade (EXi)	4.275 mm	2.710 mm × 865 mm	800 mm	380 mm	370 mm	24°
2,13 m ³ INPAT blade (PXi)	4.275 mm	3.200 mm × 835 mm	800 mm	380 mm	435 mm	24°
1,95 m ³ narrow INPAT blade (PXi)	4.275 mm	2.875 mm × 835 mm	800 mm	380 mm	390 mm	24°

Blade capacities are based on the SAE recommended practice J1265.